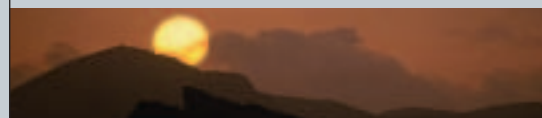


Neuson Excavator 2503 / 3003 / 3503 / 3503 VARIO / 3703

The new 3-ton generation:
You work in complete comfort.

▼ 3703



neuson®

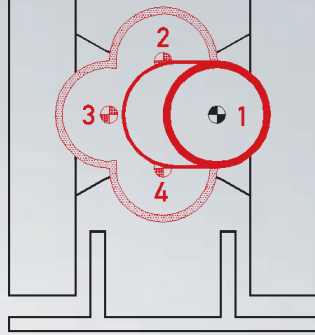
Neuson Excavator 2503 / 3003 / 3503 / 3503 VARIO / 3703

You work in complete comfort.



neuson[®]

3503 VARIO



1

High Performance Hydraulics.

The Neuson Sensitive Hydraulic using the sum control offers the major benefit of a high output system allowing simultaneous working movements without any loss of power.

This grants highest productiveness. Unique in it's weight class are the pilot controlled and hydraulically dampened drive function with full pedals. This enables more sensible and comfortable traveling and stopping. Easy maneuvering in difficult terrain with two travel speeds and high pushing power. The perfect cooperation between the hydraulic components increases the productiveness and power of the machine.



2

Added Safety.

The cab (ROPS, FOPS and TOPS certificate) with panorama view enables optimal round view. Ergonomic cab design and clear instrumentation.

3

Everything well protected.

The auxiliary hydraulic piping is standard and ends on the dipper stick. The boom cylinder piping is well protected by the cylinder. The bucket cylinder hoses are fed through the dipper stick and the bucket cylinder piping is well protected on the top of the boom.

4

Neuson Power.

The powerful 3 cylinder YANMAR diesel engine assures high torque and with it's relatively low rpm offers a lower noise level.

5

Ease of maintenance.

On all models parts of the cast rear counter weight can be taken of with in shortest time the complete engine compartment is free accessible and all parts are easily reached. The diesel fuel cap and the tool box are protected in the engine compartment by vandalism but still easy to reach. The grease gun is stored in the valve compartment. Both the engine and valve compartment are opened from the inside of the cab which enables a "one key system".

6

Ergonomic design.

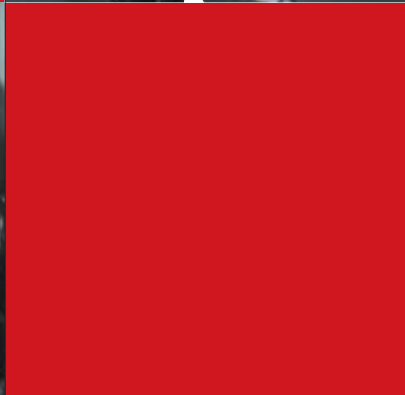
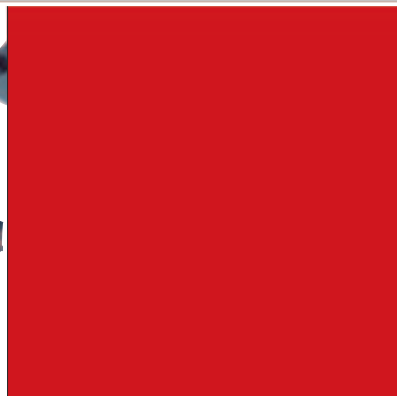
A working station as it should be:

- spacious and completely lined cab for sound profaning
- multi adjustable comfort seat including headrest
- easy to open front window with locking mechanism
- from inside to open door locking mechanism
- full size drive pedals
- effective heating and ventilation system.

7

The hydraulic hoses

run past the newly designed cast iron pivot. This enables the free movement of the hoses for less wear and will make changing easy.



2▲

3▲

4▲

5▲

6▲

7▲

8

Absolutely leak-proof.

All connections to the side situated main valve bank are tubes which are space-saving and over viewable. Accessibility for easy servicing is granted.

10

Innovative design.

The raised protective cast counter-weight reinforces the frame and prevents damage.

12

Excellent visibility.

Two headlights on the front (option) provide together with the working light on the boom enough light in both difficult and dark conditions.

9

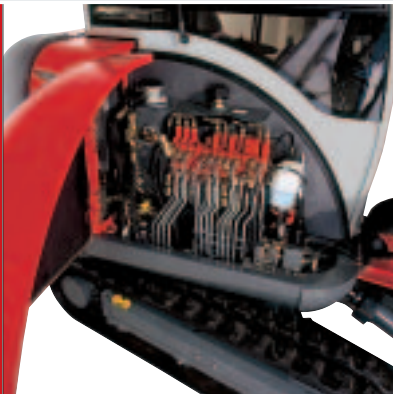
Functional design.

With the special design of the under carriage the dirt which is picked up the track while working can be easily washed off without too much effort.

11

The hydraulic tilting "Neuson-Kippmatic"

system on the Neuson 3703 excavator can adapt itself to every working situation. The hydraulic tilting mechanism for the upper structure provides the best stability even under the most arduous of conditions and enables vertical digging to take place even on slopes.



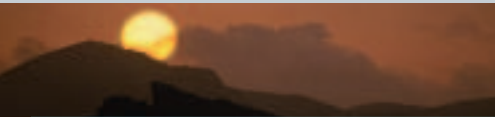
8 ▲

10 ▲

9 ▲

11 ▲

12 ▲



Export leaflet. All specifications, materials and equipments are subject to change without advance notice.



neuson[®]

Neuson Baumaschinen GmbH
Haidfeldstraße 37
4060 Linz-Leonding
AUSTRIA
Tel.: (+43) 732 / 90 5 90-0
Fax: (+43) 732 / 90 5 90-200
e-mail: verkauf@neuson.com
homepage: www.neuson.com

NK Lifton Limited
Station Road Ind Park
Brompton-on-Swale
Richmond North Yorkshire
DL 10 7 SN
UNITED KINGDOM
Tel.: (+44) 1748 / 810 666
Fax: (+44) 1748 / 810 777
e-mail: info@kramer.uk.com

Neuson Kramer France
43, Rue du Landy
93211 St. Denis la Plaine
FRANCE
Tel.: (+33) 14 16 24-162
Fax: (+33) 14 16 24 165
e-mail:
adv@neusonkramerfrance.fr